



2/4/5 Megapixel H.265 Motorized Pro Bullet Network Camera



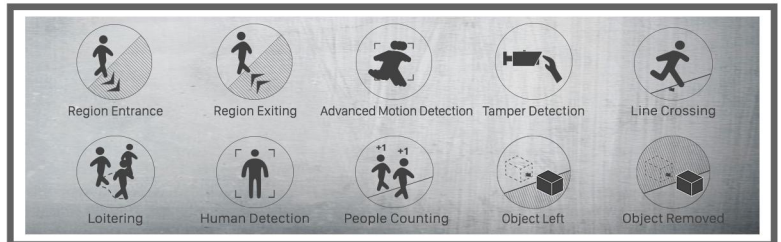
DATASHEET

KEY FEATURES

- ▶ Smart Stream (Bandwidth, storage and bit rate are saved with Smart Stream On, eg, H.265+ saves 70%~80% bandwidth that of H.264.)
- ▶ Smart IR II (Combining the High Beam and Low Beam to adjust IR intensity to fit different lighting conditions.)
- ▶ HLC (High Light Compensation. Improving image visibility under strong light sources.)
- ▶ P-Iris (Giving you a more clear scene with depth of view.)
- ▶ Defog (Defog technology. Restoring clear images in hazy and foggy weather.)
- ▶ Integrated Cable Management (Combining the power interface, PoE port, and other interfaces in the base neatly.)
- ▶ 256G (Supporting ultra-large external microSD/SDHC/SDXC card storage up to 256G.)

Video Content Analysis

Milesight VCA with 10 detection modes provides advanced, accurate smart video analysis for Milesight network cameras, enabling the comprehensive surveillance function and quicker response to different monitoring scenes.

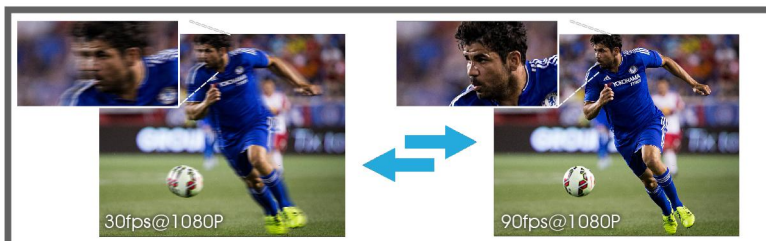


0.001Lux Ultra Low-light

The starlight camera is able to deliver high detailed color images even in low light environment reaching 0.001Lux(Color) or 0Lux(B/W), and near infrared light environments without any supplementary lighting.

3 in 1 Super WDR Pro - 140dB

Milesight upgraded 3 in 1 Super WDR Pro outputs three frames each line, which is able to bring more details especially moving subjects. What's more, it greatly improves image quality for reducing smear and noisy points. The ratio that the brightest light signal values divided by the darkest light signal values is up to 140dB.



90fps

The high frame rate ups to 90fps@1080P resolution, which triples the number of frames offered by conventional HD network cameras. It enable Milesight cameras to capture real-time and low-latency images of fast moving objects clearly.

H.265 Motorized Pro Bullet Network Camera

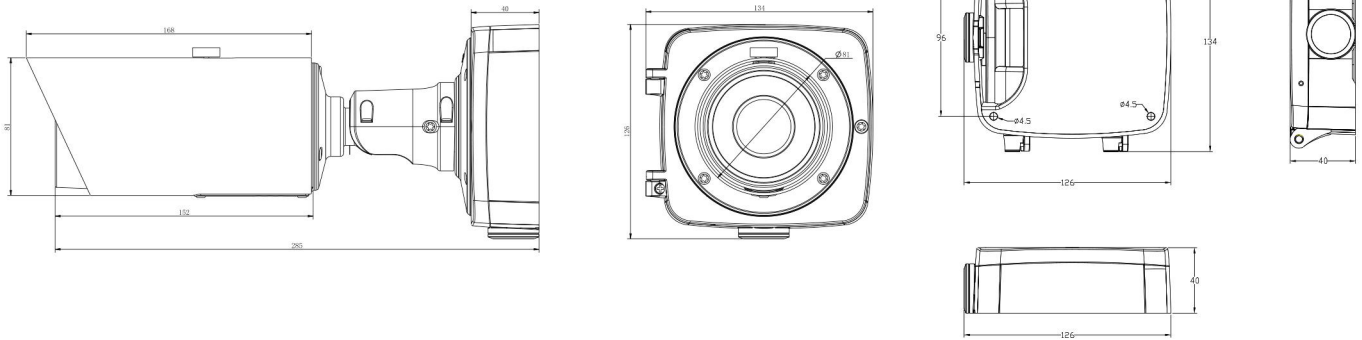
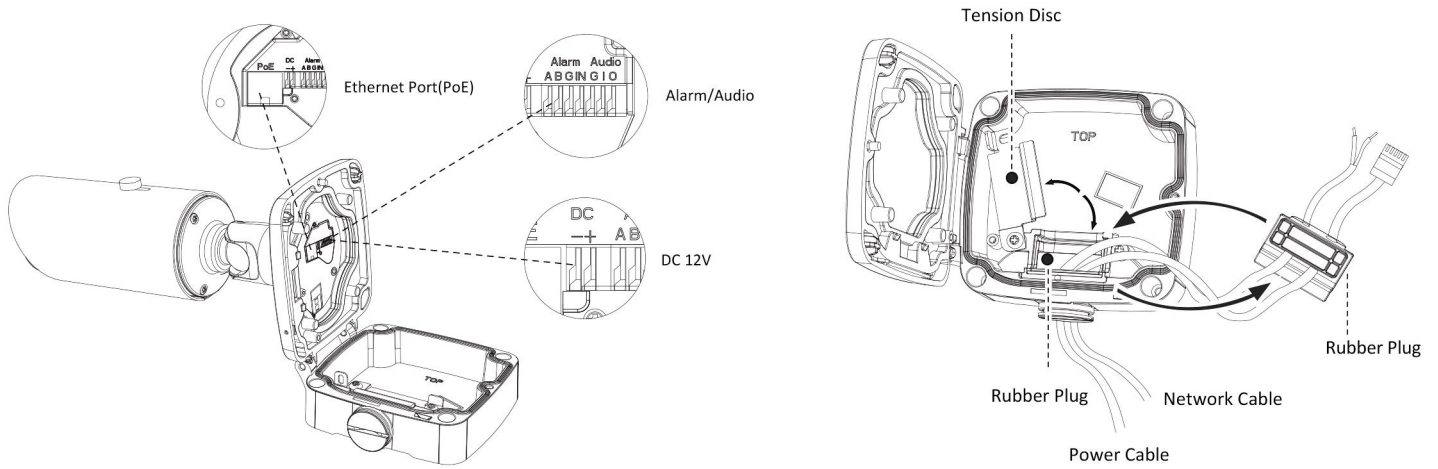


	Model	MS-C2862-(R)F(I)PB (2MP)	MS-C2962-(T)(R)F(I)PB (2MP)	MS-C4462-F(I)PB (4MP)	MS-C5362-(H)F(I)PB (5MP)
Camera	Image Sensor	1/2" Progressive Scan CMOS	1/2.8" Progressive Scan CMOS	1/3" Progressive Scan CMOS	1/2.8" Progressive Scan CMOS
	Min. Illumination	Color: 0.001Lux@F1.2 B/W: 0Lux with IR on	Color: 0.002Lux@F1.2 B/W: 0Lux with IR on	Color: 0.008Lux@F1.2 B/W: 0Lux with IR on	Color: 0.005Lux@F1.2 B/W: 0Lux with IR on
	WDR	140dB Super WDR	140dB Super WDR (Super WDR Pro is optional for T Series)	120dB Super WDR	
	Lens	Motorized 3.6~10mm @F1.4 P-Iris(Optional)	Motorized 3.0~10.5mm/2.7~13.5mm/2.8~12mm/7~22mm @F1.4 P-Iris(Optional)		
	Mount	Φ14			
	Field of View	H96°~H42°/ D111°~D48°/ V55°~V23°	H93°~H33°/D107°~D38° /V52°~V18° (3.0~10.5m)	H85°~H30°/ D99°~D35° / V48°~V17°(3.0~10.5mm)	H90°~H31°/ D114°~D38° / V67°~V23°(3.0~10.5mm)
			H92°~H32°/D107°~D37° /V51°~V18° (2.7~13.5mm)	H76°~H31°/D88°~D36° /V45°~V18° (2.8~12mm)	H89°~H30°/D111°~D37° /V66°~V22° (2.7~13.5mm)
			H40°~H16°/D46°~D19° /V23°~V9° (7~22mm)	H36°~H15°/D41°~D17° /V22°~V8° (7~22mm)	H37°~H15°/D47°~D19° /V28°~V11° (7~22mm)
	Shutter Time	1/100000s~1s			
	IR Distance	Up to 60m	Up to 60m(3.0~10.5mm)/ 100m(7~22mm)		
Day&Night	ICR Filter Auto Switch				
Video	Max. Image Resolution	1920x1080		2592x1520	2592x1944
	Primary Stream	60fps@(1920x1080) (Optional for R Series), 30fps@(1920x1080, 1280x960,1280x720, 704x576)	90fps@(1920x1080) (Optional for T Series), 60fps@(1920x1080) (Optional for R Series), 30fps@(1920x1080, 1280x960,1280x720, 704x576)	20fps@(2592x1520), 30fps@(2304x1296, 1920x1080,1280x960, 1280x720, 704x576)	30fps@(2592x1944) (Optional for H Series), 20fps@(2592x1944), 30fps@(1920x1080, 1280x960, 1280x720, 704x576)
	Secondary Stream	30fps@(704x576, 640x480, 640x360, 352x288, 320x240, 320x192, 320x176)			
	Tertiary Stream	30fps@(1920x1080, 1280x720, 704x576, 640x480, 640x360, 320x240, 320x192, 320x176)			
	Video Compression	H.265+/H.265(HEVC)/H.264+/H.264/MJPEG			
	Video Bit Rate	16Kbps~16Mbps(CBR/VBR Adjustable)			
Image Setting	Brightness/Contrast/Saturation/Sharpness				
Network	Ethernet	1*RJ45 10M/100M Ethernet Port			
	Network Storage Protocol	NAS(Support NFS, SMB/CIFS) IPv4/IPv6, TCP, UDP, RTP, RTSP, RTCP, HTTP, HTTPS, DNS, DDNS, DHCP, FTP, NTP, SMTP, SNMP, UPnP, SIP, PPPoE, VLAN, 802.1x, QoS, IGMP, ICMP, SSL			
Audio	Audio Compression	G.711/AAC			
	Audio I/O	1/1			
System	Alarm I/O	1/1			
	Storage	Support microSD/SDHC/SDXC Card Local Storage, up to 256G			
	Advanced Function	Privacy Masking, Backlight Compensation, HLC, 2D DNR, 3D DNR, ROI, Anti-fog, White Balance, EIS, IP Address Filtering			
	SIP/VoIP Support	Yes, Voice & Video-over-IP			
	Event Trigger	Motion Detection, Network Disconnection, External Input, Audio Alarm, etc.			
	Event Action	FTP Upload, SMTP Upload, SD Card Record, External Output, SIP Phone, HTTP Notification, etc.			
	Video Analysis (Optional)	Region Entrance, Region Exiting, Advanced Motion Detection, Tamper Detection, Line Crossing, Loitering, Human Detection, People Counting, Object Left, Object Removed			
System Compatibility	ONVIF Profile S & G				
General	Working Temperature	-40℃~60℃			
	Working Humidity	0~90%(Non-condensing)			
	Power Supply	PoE (802.3af)/ DC 12V±10%			
	Power Consumption	6W MAX 10W MAX(With IR on)	6W MAX 10.5W MAX(With IR on)	5W MAX 9W MAX(With IR on)	
	Weather Proof	Up to IP67-rated for Weather-resistant Performance			
	Housing	Vandal-proof IK10-rated Metal Housing (Optional)			
	Weight	1080g			
	Dimensions	134mmX126mmX285mm			
	Warranty	3/5 Years			

H.265 Motorized Pro Bullet Network Camera



Structure Diagrams



Units: mm

Accessories Support

A01 Pole Mount

Weight: 720g
Dimensions: 170*51.5*152.6mm



A02 Internal Corner Bracket

Weight: 540g
Dimensions: 170*23.2*205.3mm



A03 External Corner Bracket

Weight: 900g
Dimensions: 170*152.6*76.3mm



A62 Junction Box

Weight: 510g
Dimensions: 134*127*40mm



Naming Convention

